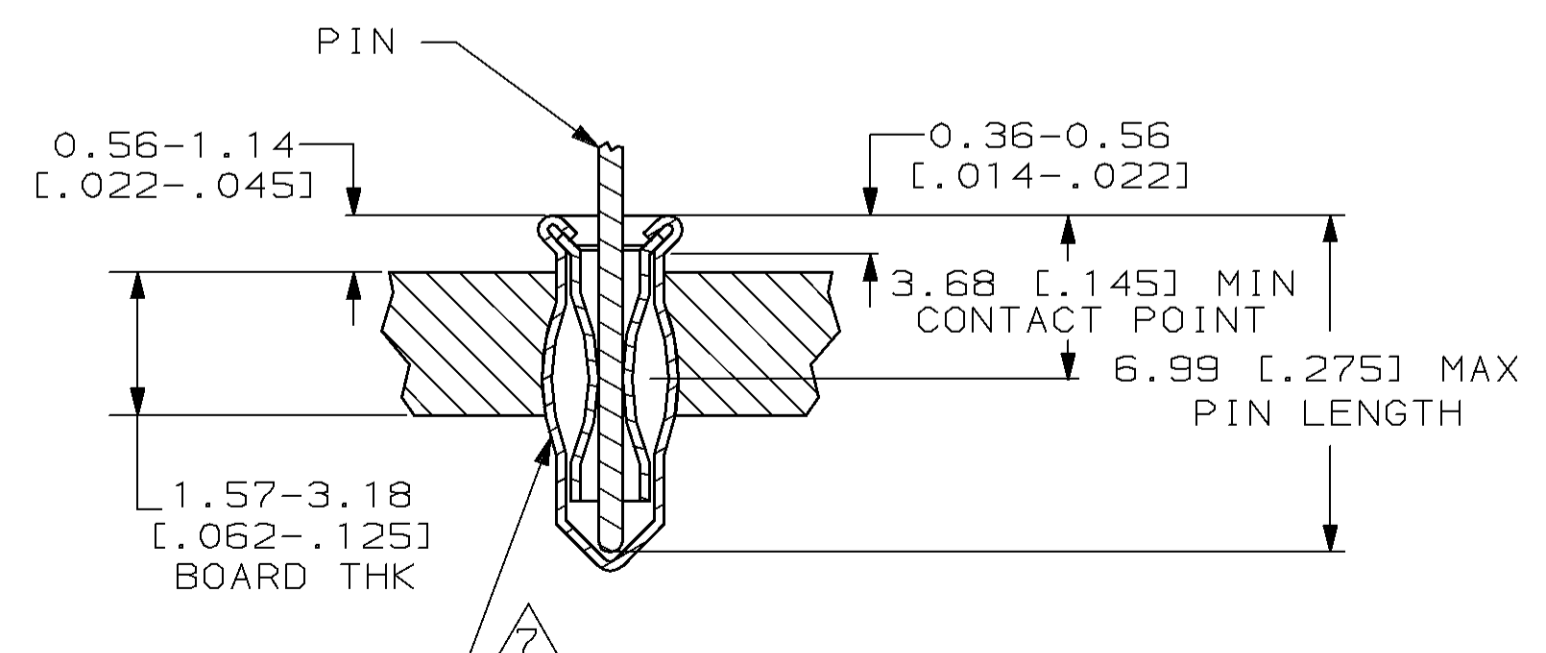
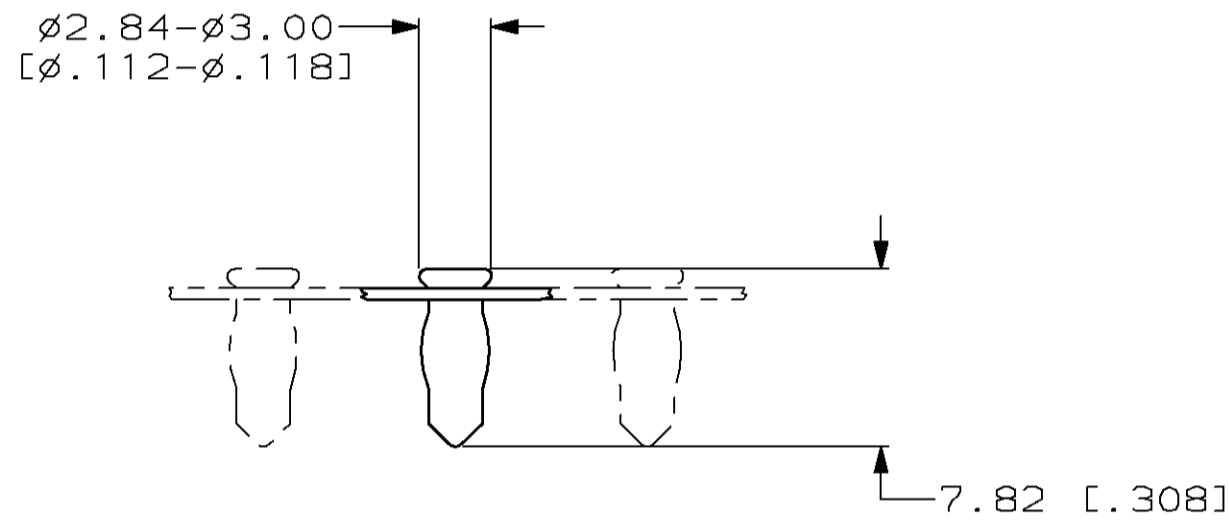
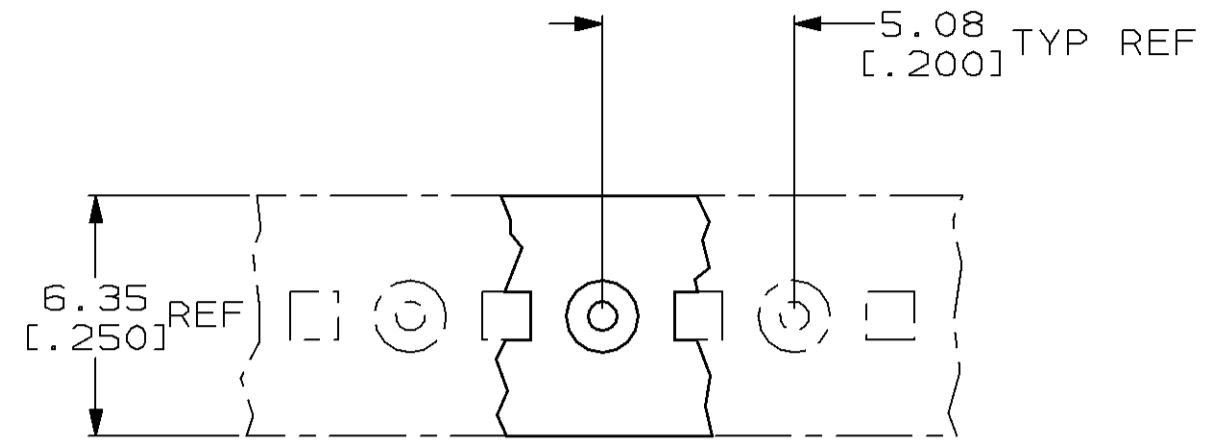


LOC		DIST		P		F		ZONE		LTR		REVISIONS		DATE	APPD
AG	53											E	REDWN & REV PER 0160-3551-93	5-5-94	WS



- 1 MATERIAL:  
EYELET - COPPER (QQ-C-576)  
SPRING - BERYLLIUM COPPER (QQ-C-533)
- 2 TIN PLATE (MIL-T-10727) 0.00381 [.000150] MIN THK.
- 3 TIN PLATE (MIL-T-10727) 0.00254 [.000100] MIN THK.
- 4 GOLD PL (MIL-G-45204) 0.00076 [.000030] MIN THK ON CONTACT AREA.
- 5 PACKAGED 25,000 PER REEL
- 6 TO INSURE 1/2 OZ MIN RETENTION DO NOT EXCEED 0.10 [.004] DIFFERENCE IN PIN DIA WHEN CHANGING TO A SMALLER DIA PIN
- 7 PRODUCT IS OVALIZED FOR RETENTION IN THE P.C. BOARD. THE RECOMMENDED HOLE DIAMETER IS ∅2.59 [∅.102] MINIMUM, +0.08 [.003] MAX. PRIOR TO SOLDERING.
- 8 PACKAGED 10,000 PER REEL

3.76-6.99 [.145-.275]	∅1.07-∅1.24 [∅.042-∅.049]	GOLD 4	TIN 2	8	1-645979-2
3.76-6.99 [.145-.275]	∅1.07-∅1.24 [∅.042-∅.049]	TIN 3	TIN 2	5	645979-1
LENGTH		DIAMETER		SPRING	EYELET
PIN			FINISH		
			PART NO		

DO NOT SCALE PRINT. UNLESS SPECIFIED DIMENSIONS IN mm [INCHES] TOLERANCES ON: 2 PLC DEC ± - 3 PLC DEC ± 0.20 [.008] ANGLES ± -	DR 1-24-85 D.HOLLINGSWORTH	AMP Incorporated Harrisburg, PA 17105-3608							
	CHK 1-15-86 P.MUTZABAUGH								
	APPD 1-22-86 G.D.MILLER	NAME							
	APPD 1-22-86 ER.RALSTON	MINIATURE SPRING SOCKET ASSY SERIES 5 WITHOUT SEALANT							
MATERIAL	1	PRODUCT SPEC	-						
FINISH	SEE TABLE	APPLICATION SPEC	114-26004	SIZE	C	CAGE CODE	00779	DRAWING NO	C=645979
		WEIGHT	-	SCALE	NTS	SHEET	1 OF 1	CUSTOMER DRAWING	

THIS DRAWING IS A CONTROLLED DOCUMENT FOR AMP INCORPORATED. IT IS SUBJECT TO CHANGE AND THE CONTROLLING ENGINEERING ORGANIZATION SHOULD BE CONTACTED FOR THE LATEST REVISION.